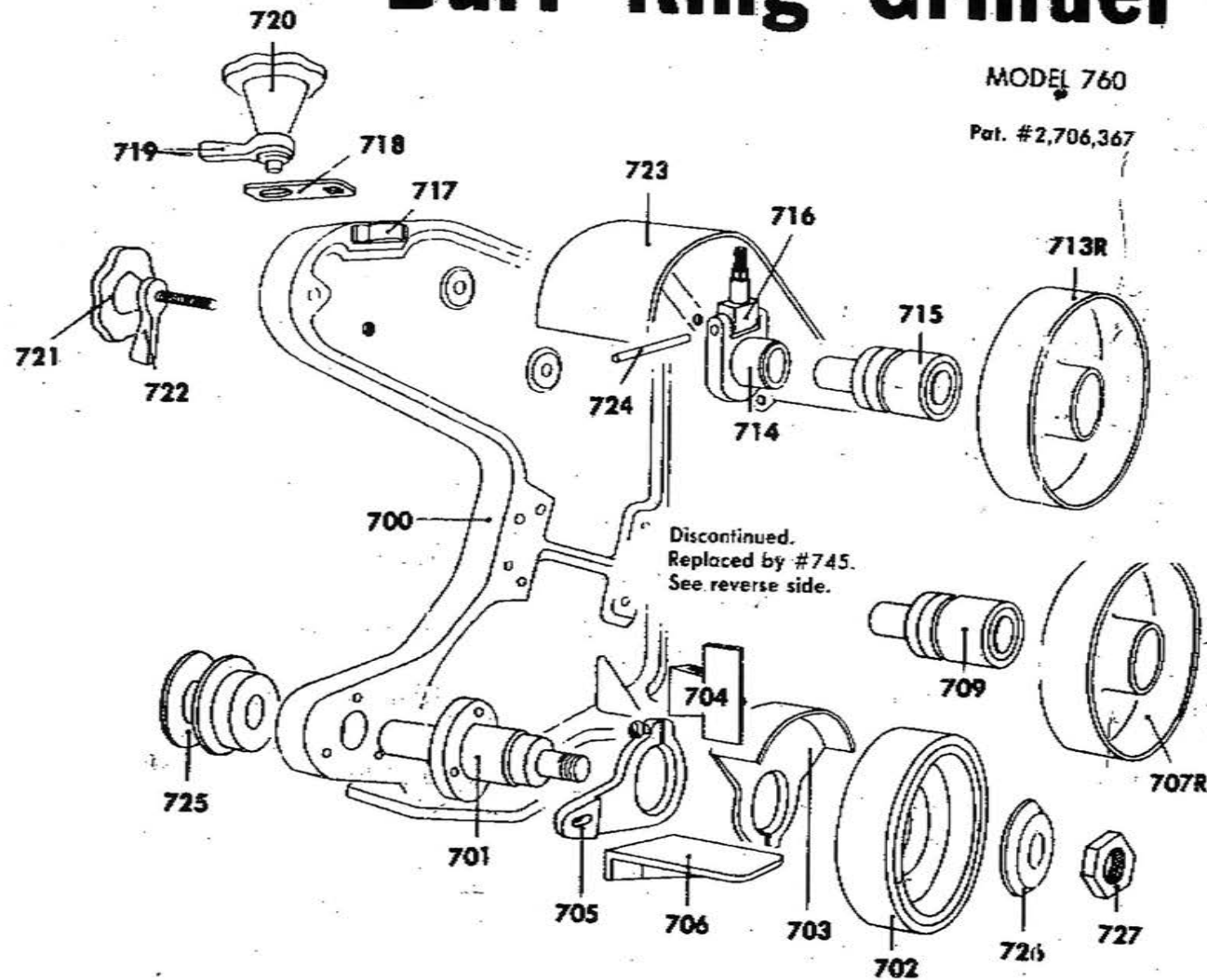


Burr-King Grinder

REC'D JAN 28 1983



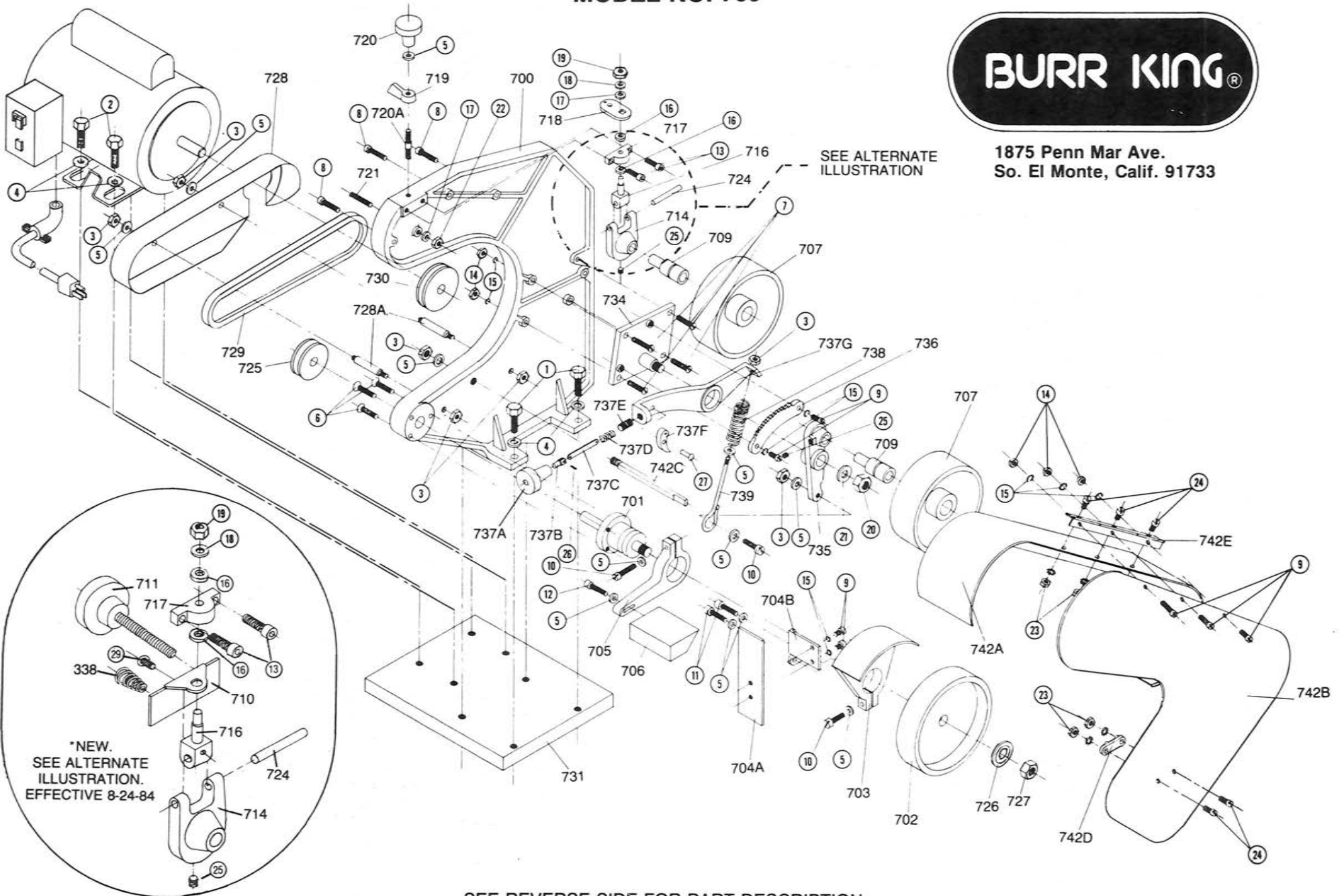
- 700 Main Plate
- 701 Drive Wheel Bearing Assembly
- 702 Contact Wheel
- 703 Contact Wheel Guard
- 704 Backup Assembly
- 705 Work Rest Support
- 706 Work Rest
- 707R Rear Idler Wheel
- 709 Rear Idler Bearing
- 713R Upper Idler Wheel
- 714 Upper Idler Wheel Bearing Support
- 715 Upper Idler Wheel Bearing
- 716 Upper Idler Wheel Swivel
- 717 Upper Idler Wheel Swivel Holder
- 718 Upper Idler Wheel Swivel Link
- 719 Upper Idler Wheel Adjusting Eccentric
- 720 Upper Idler Wheel Adjusting Eccentric Locking Knob
- 721 Upper Idler Wheel Vertical Adjusting Knob
- 722 Upper Idler Wheel Vertical Adjusting Knob Lock
- 723 Upper Idler Wheel Guard
- 724 Pin Upper Idler Wheel
- 725 V-Pulley
- 726 Outer Wheel Flange
- 727 Drive Wheel Bearing Nut
- 742 Safety Guard

BURR-KING MFG. CO.
1875 PENN MAR
SO. EL MONTE, CALIF. 91733
GILBERT 4-3895

MODEL NO. 760



1875 Penn Mar Ave.
So. El Monte, Calif. 91733



SEE ALTERNATE ILLUSTRATION

*NEW.
SEE ALTERNATE ILLUSTRATION.
EFFECTIVE 8-24-84

SEE REVERSE SIDE FOR PART DESCRIPTION

MODEL 760

| PART # | DESCRIPTION | QUANTITY |
|--------|----------------------------------|----------|
| 1 | 5/16-18 X 3/4 HH C/S BOLT | 4 |
| 2 | 5/16-18 X 1/2 HH C/S BOLT | 4 |
| 3 | 1/4-20 JAM NUT | 7 |
| 4 | 5/16 USA WASHER | 8 |
| 5 | .265 .500 .063 WASHER AN960-416 | 12 |
| 6 | 1/4-20 X 1 1/2 F H M/S | 3 |
| 7 | 10/24 X 1 1/2 F H M/S | 4 |
| 8 | 10/24 X 1 1/4 FILL HD M/S | 4 |
| 9 | 10/24 X 1/2 FILL HD M/S | 7 |
| 10 | 1/4-20 X 1 FILL HD M/S | 3 |
| 11 | 1/4-20 X 3/4 FILL HD M/S | 2 |
| 12 | 1/4-20 X 1 1/4 FILL HD M/S | 1 |
| 13 | 10/24 X 3/4 SOC CAP SCREW | 2 |
| 14 | 10/24 JAM NUTS | 11 |
| 15 | #10 L/W | 11 |
| 16 | .453 .750 .063 AN960-716 | 2 |
| 17 | .390 .625 .063 AN960-616 | 2 |
| 18 | .328 .562 .063 AN960-516 | 1 |
| 19 | 5/16-24 ESNA NUT | 1 |
| 20 | 1/2-20 ESNA NUT 21 NTE 080 | 1 |
| 21 | 1/2 WASHER | 1 |
| 22 | 3/8-16 JAM NUT | 1 |
| 23 | 6-32 CAP NUTS | 5 |
| 24 | 6/32 X 3/8 PAN HEAD M/S | 5 |
| 25 | 5/16-18 X 3/8 SOC SET SCREW | 2 |
| 26 | 3/32 X 3/8 ROLL PIN | 1 |
| 27 | 8 X 5/8 DRIVE SCREW | 1 |
| 28 | 0 X 1/4 DRIVE SCREW | 1 |
| 29 | 10/32 X 1/2 BUTTON HD SOC. SCREW | 1 |

| PART # | DESCRIPTION |
|--------|-------------------------------------|
| 700 | MAIN PLATE |
| 701 | CONTACT WHEEL BEARING ASSEMBLY |
| 702 | CONTACT WHEEL |
| 703 | CONTACT WHEEL GUARD |
| 704 | BACKUP ASSEMBLY |
| 704A | BACKUP PLATEN |
| 704B | BACKUP BRACKET |
| 705 | WORKREST SUPPORT |
| 706 | WORKREST |
| 707 | IDLER WHEEL |
| 709 | IDLER WHEEL BEARING |
| 714 | UPPER WHEEL BEARING SUPPORT |
| 716 | UPPER WHEEL SWIVEL |
| 717 | UPPER WHEEL SWIVEL HOLDER |
| 718 | UPPER WHEEL SWIVEL LINK |
| 719 | UPPER WHEEL ADJUSTING ECCENTRIC |
| 720 | UPPER WHEEL LOCKING KNOB |
| 720A | UPPER WHEEL LOCKING KNOB STUD |
| 721 | UPPER WHEEL ADJUSTING SET SCREW |
| 724 | PIN, UPPER WHEEL BEARING SUPPORT |
| 725 | V-PULLEY |
| 726 | OUTER WHEEL FLANGE |
| 727 | CONTACT WHEEL BEARING NUT |
| 728 | V-BELT GUARD |
| 728A | V-BELT GUARD STUDS |
| 729 | V-BELT |
| 730 | MOTOR PULLEY |
| 731 | BASE |
| 734 | REAR WHEEL ASSEMBLY BASE |
| 735 | REAR WHEEL BEARING SUPPORT |
| 736 | REAR WHEEL SECTOR |
| 737 | REAR WHEEL HANDLE ASSEMBLY COMPLETE |
| 737A | REAR WHEEL HANDLE KNOB |
| 737B | REAR WHEEL HANDLE BUTTON |
| 737C | REAR WHEEL HANDLE STRIP |
| 737D | REAR WHEEL HANDLE SPRING |
| 737E | REAR WHEEL HANDLE PIPE NIPPLE |
| 737F | REAR WHEEL HANDLE PAWL |
| 737G | REAR WHEEL HANDLE |
| 738 | REAR WHEEL SPRING |
| 739 | REAR WHEEL SPRING GUIDE |
| 742 | SAFETY BELT GUARD COMPLETE |
| 742A | SAFETY GUARD CASTING |
| 742B | SAFETY GUARD DOOR |
| 742C | SAFETY GUARD DOOR LATCH (MALE) |
| 742D | SAFETY GUARD DOOR LATCH (FEMALE) |
| 742E | SAFETY GUARD DOOR HINGE |
| *710 | TRACKING BRACKET |
| *711 | TRACKING KNOB |
| *338 | TRACKING SPRING |

*NEW. SEE ALTERNATE ILLUSTRATION EFFECTIVE 8-24-84